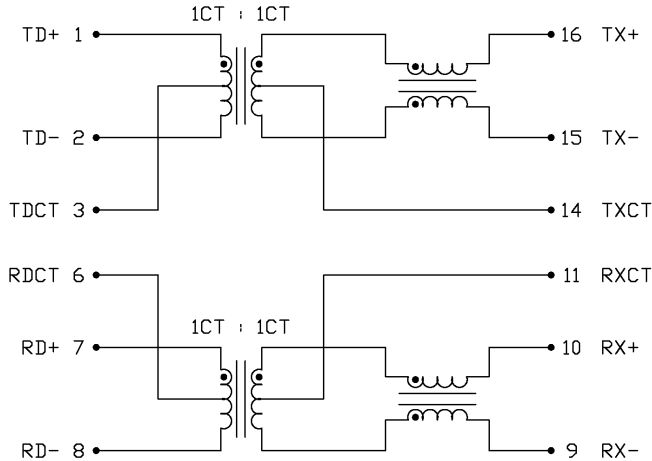


THE INFORMATION CONTAINED HEREIN IS CONSIDERED "PROPRIETARY" TO BEL FUSE INC. AND SHALL NOT BE COPIED, REPRODUCED OR DISCLOSED WITHOUT THE WRITTEN APPROVAL OF BEL FUSE INC.



SCHEMATIC



ELECTRICAL CHARACTERISTICS @ 25°C

| | |
|---|--|
| <p> URNS RATIO Tx (16&14&15) : (1&3&2) Rx (7&6&8) : (10&11&9) </p> <p> PHASING DCL (-40°C - +85°C) WITH 8mA DC BIAS & 100mVrms @ 100kHz Rx (10&9) OPEN 7&8 Tx (16&15) OPEN 1&2 </p> <p> LEAKAGE INDUCTANCE, Le (-40°C - +85°C) MEASURED WIHT 100mVrms @ 1MHz Rx (10&9) WITH 7&8 SHORTED Tx (16&15) WITH 1&2 SHORTED </p> <p> INTERWINDING CAPACITANCE, Cw/w Rx (7&8 TO 10&9) Tx (1&2 TO 16&15) </p> <p> DCR WINDING RESISTANCE (1-2) ; (7-8) </p> <p> INSERTION LOSS @ 100kHz TO 80MHz </p> <p> RETURN LOSS (UNDER 100 ±15% ENVIRONMENT) @ 0.5 TO 30 MHz @ 30 TO 60 MHz @ 60 TO 80 MHz </p> <p> COMMON MODE TO COMMON MODE ATTENUATION @ 0.1 TO 80 MHz @ 80 TO 125 MHz @ 125 TO 250 MHz </p> <p> CROSS TALK @ 0.1 TO 80 MHz @ 80 TO 125 MHz @ 125 TO 250 MHz </p> <p> COMMON MODE TO DIFFERENTIAL MODE ATTENUATION @ 0.1 TO 80 MHz @ 80 TO 125 MHz @ 125 TO 250 MHz </p> <p> HIPDT </p> | <p> 1CT : 1CT 1CT : 1CT </p> <p> 16 TO 1 ; 15 TO 2 10 TO 7 ; 9 TO 8 </p> <p> 350µH MIN. 350µH MIN. </p> <p> 0.4µH MAX. 0.4µH MAX. </p> <p> 25pF MAX. 25pF MAX. </p> <p> 1.00HM MAX. </p> <p> 1.0dB MAX. </p> <p> 16dB MIN. 16-20 LOG (f/30MHz) 10dB MIN. </p> <p> 38dB MIN. 30dB MIN. 10dB MIN. </p> <p> 38dB MIN. 30dB MIN. 10dB MIN. </p> <p> PER HAND-WORK-03 </p> |
|---|--|

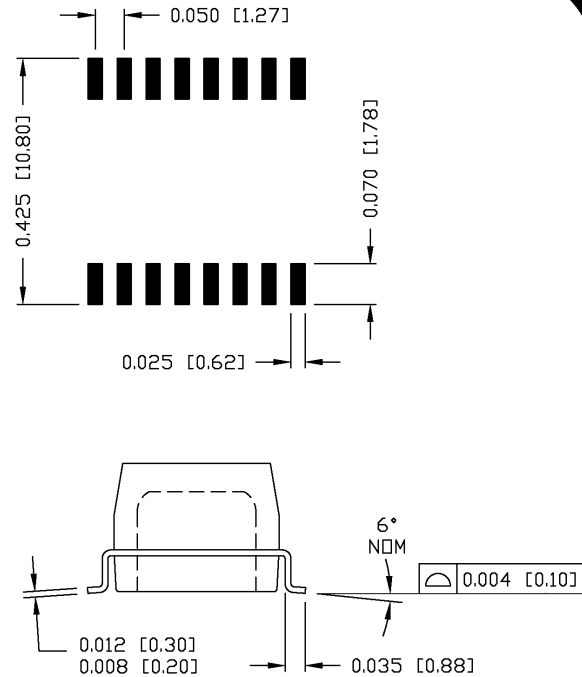
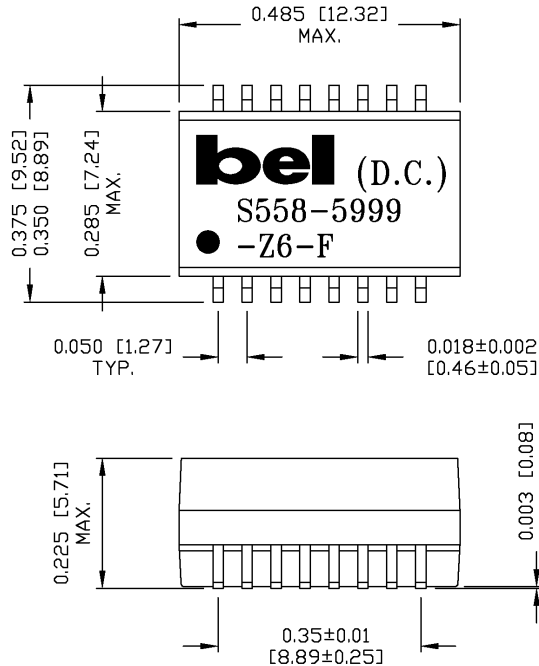
| | | | | | |
|---------------|----------|---------------------------------------|------------------------|----------------------------|------------------------------|
| ORIGINATED BY | DATE | TITLE | PART NO. / DRAWING NO. | STANDARD DIM. TOL. IN INCH | [] METRIC DIM. AS REFERENCE |
| HQ | 01-18-06 | 10/100BASE-T MODULE S558-5999-Z6-F | X5585999Z6-F | .X | UNIT : INCH [mm] |
| DRAWN BY | DATE | | FILE NAME | .XX ±0.01 | SCALE : N/A |
| DQ Chen | 01-18-06 | | X5585999Z6FA.DWG | .XXX ±0.005 | SIZE : A4 |
| | | | | | PAGE : 2 |



THE INFORMATION CONTAINED HEREIN IS CONSIDERED "PROPRIETARY" TO BEL FUSE INC. AND SHALL NOT BE COPIED, REPRODUCED OR DISCLOSED WITHOUT THE WRITTEN APPROVAL OF BEL FUSE INC.



SUGGESTED PCB PAD LAYOUT



NOTES:

- STANDARD MARKING REFER TO DOC. HAND-WORK-04.
- PACKAGE CODE: "QBS001".

| | | | | | |
|---------------|----------|--------------------------------------|------------------------|----------------------------|------------------------------|
| ORIGINATED BY | DATE | TITLE | PART NO. / DRAWING NO. | STANDARD DIM. TOL. IN INCH | [] METRIC DIM. AS REFERENCE |
| HQ | 01-18-06 | MECHANICAL DRAWING S558-5999-Z6-F | X5585999Z6-F | .X | UNIT : INCH [mm] REV. : A |
| DRAWN BY | DATE | | FILE NAME | .XX ±0.01 .XXX ±0.005 | SCALE : N/A SIZE : A4 |
| DQ Chen | 01-18-06 | | X5585999Z6FA.DWG | | PAGE : 3 |

